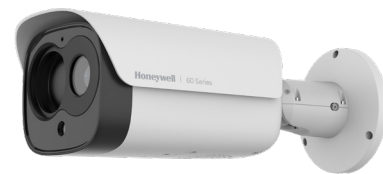


60 SERIES HC60TB4RxVTxx



Bi-Spectrum Thermal Bullet VGA Cameras

5 YEAR
WARRANTY

ONVIF® | SGT™

Honeywell's 60 Series Bi-Spectrum Thermal Bullet VGA Cameras simultaneously capture both heat signatures and detailed visual images of people or objects at a greater distance in low light conditions for faster response to potential threats.

In an increasingly security-conscious world, enterprise businesses are turning to advanced technologies to safeguard their assets and operations. Bi-spectrum thermal surveillance cameras stand out as a revolutionary solution, integrating both thermal imaging and high-definition optical capabilities into a single device.

This dual functionality allows for continuous monitoring in various conditions, including complete darkness, fog, or glare, ensuring that no potential threat goes unnoticed. By leveraging the unique strengths of thermal sensors to detect heat signatures and high-definition cameras to verify and capture details, these systems significantly enhance a company's security posture.

Investing in bi-spectrum thermal surveillance protects valuable resources and promotes a safer environment for employees and customers alike, making it an essential tool for modern enterprise security strategies.

ENHANCED DETECTION AND RECOGNITION

- Superior image quality by 5MP optical resolution and 640 x 512 thermal heat-seeking resolution sensor combine in one camera to see more detail at a longer distance for earlier detection of threats.
- Multiple optical and thermal lens options to select right models based on environment needs
- Optical sensor offers longer detection distance up to 390 m (1,279.53 ft)
- Thermal sensor can detect a human up to 2,083 m (6,833.99 ft) and can recognize a human up to 521 m (1,709.32 ft)
- Thermal temperatures measured in environments from -0°C up to 350°C (32°F to 662°F)

INTELLIGENT SURVEILLANCE

- Advanced video analytics combined with thermal heat seeking signature detect living beings, overheating equipment, smoke, fire hot spots, and open flames.
- Other analytics for vehicle detection include line crossing, double line crossing, and wrong way detection for perimeter and checkpoint applications
- Customizable voice warning feature for early warning to vacate the area
- Bounding boxes are displayed in live video based on object classification and alarm event

INCREASED OPERATIONAL EFFICIENCY

- 24 x 7 monitoring under all environmental conditions – rain, fog, or pitch-dark night.
- Robust design with IP67, IP66 & IK10 rating enhances camera durability.
- PT Driver accessory (HAS1PTD) enables camera to function with Pan/Tilt with 90-degree vertical
- Reduced false alarms – bi-spectral noise filtering algorithms improve accuracy by filtering out noise more effectively, therefore focusing on genuine changes in the scene and minimizing false triggers and alarms
- Preventive Maintenance - monitor equipment for early signs of overheating or mechanical stress, serving dual roles in industrial safety and security.

COMPLIANCE

- NDAA compliant
- IEC/ANSI/ISA-62443-4-1-2018
- NEMA TS2

POTENTIAL APPLICATIONS:

COMMERCIAL:

- Building Intruder / Break Ins
- Fence Line and Door Intrusion
- Server / Computer Room
- Electric Car Charging Station Monitoring

ENTERPRISE:

- Perimeter Security
- Checkpoints / Entry & Exit Points
- Utilities / Substations / CIP - Flame Detection
- Datacenter / Computer Room
- Solar Panel Plants
- Combustible Material Monitoring
- Electric Car Station Monitoring

Honeywell

60 SERIES BI-SPECTRUM THERMAL BULLET VGA CAMERAS

OPERATIONAL		
CAMERA	OPTICAL	THERMAL
Image Sensor	1/1.8" CMOS	Vanadium oxide uncooled focal plane detector
Sensor Size (H x V)	7.9 mm x 4.5 mm	18 mm x 16 mm
Number Of Pixels (H x V)	2688 x 1520	640 x 512
Noise Reduction	2D/3D DNR	2D/3D DNR
Lens	HC60TB4R1VT09: 4 mm, F1.6 HC60TB4R4VT15: 6 mm, F1.6 HC60TB4R2VT25/HC60TB4R2VT35/HC60TB4R2VT50: 10~30 mm, F1.6	HC60TB4R1VT09: 9 mm, F1.0 HC60TB4R4VT15: 15 mm, F1.0 HC60TB4R2VT25: 25 mm, F1.0 HC60TB4R2VT35: 35 mm, F1.0 HC60TB4R2VT50: 50 mm, F1.0
Angle Of View (H x V)	HC60TB4R1VT09: H: 88.91°, V: 50.48° HC60TB4R4VT15: H: 60.88°, V: 35.44° HC60TB4R2VT25/HC60TB4R2VT35/HC60TB4R2VT50: H: 43.35°~15.51°, V: 23.75°~8.83°	HC60TB4R1VT09: H: 48°, V: 38° HC60TB4R4VT15: H: 32°, V: 26° HC60TB4R2VT25: H: 17°, V: 14° HC60TB4R2VT35: H: 12°, V: 10° HC60TB4R2VT50: H: 8°, V: 7°
Privacy Masking	Off / On (4 Areas)	Off / On (4 Areas)
Defog	Supported	Supported
Focus Mode	HC60TB4R1VT09/HC60TB4R4VT15: Fixed HC60TB4R2VT25/HC60TB4R2VT35/HC60TB4R2VT50: MFZ	Fixed
Min. Focusing Distance	HC60TB4R1VT09: 1 m HC60TB4R4VT15: 2.5 m HC60TB4R2VT25/HC60TB4R2VT35/HC60TB4R2VT50: 2.5~6 m	HC60TB4R1VT09: 3.3 m HC60TB4R4VT15: 7.3 m HC60TB4R2VT25: 13 m HC60TB4R2VT35: 25 m HC60TB4R2VT50: 52 m
Image Setting	Brightness, Saturation, Sharpness, Contrast	Brightness, Details enhancement, Sharpness, Contrast
Mirror	Normal, Horizontal, Vertical, Horizontal+Vertical	Normal, Horizontal, Vertical, Horizontal+Vertical
Scanning System	Progressive	
Minimum Illumination (Color/BW)	Color: 0.05 Lux @ (F1.6, 30 IRE), B/W: 0.0001 Lux @ (F1.6, 30 IRE), 0 Lux with light on	
S/N Ratio	> 55 dB	
Electronic Shutter Speed	1/5 to 1/20,000 s	
IR Distance	HC60TB4R1VT09: 70 m (229.66 ft) HC60TB4R4VT15: 80 m (262.47 ft) HC60TB4R2VT25/HC60TB4R2VT35/HC60TB4R2VT50: 100 m (328.08 ft)	
IR Light Control	Smart IR (Auto/Manual)/OFF	
IR Light Number	7 (6 IR lights+1 white light)	
Removable IR-Cut Filter	Yes	
White Light	Strobe light	
Day/Night	Auto/Day/Night/Timing	
Backlight Compensation	WDR, HLC, BLC	
White Balance	Auto/Tungsten/Fluorescent/Daylight/Shadow/Manual	
Gain Control	0 ~ 100%	
Wide Dynamic Range	Up to 120 dB	
Pixel Pitch		12 μm
Spectral Range		8 ~ 14 μm
Sensitivity (NETD)		≤ 40 Mk, F1.0
Pseudo-color Setting		White Hot, Black Hot, Rainbow, Ironbow, HSV, Bone, Cool, Copper, Fire-Hot, Pink, Spring, Summer, Autumn, Winter, Jet, Flame, Rosebengal
Bi-spectrum Image Fusion		Supported

60 SERIES BI-SPECTRUM THERMAL BULLET VGA CAMERAS

OPERATIONAL				
RAM	2 x 8 Gigabits			
Flash	128 Gigabits			
Video Standard	NTSC/PAL			
Encryption Chipset**	Supported			
Local Storage	Micro SD (up to 1TB)			
Alarm Inputs / Outputs	2 Ch Input, 2 Ch Output			
Analog Output Support	Supported			
RS232	Supported			
Reset	Supported			
PTZ Driver Compatibility	Yes (Support Pan/Tilt, Preset temperature measurement, Preset VA, Auto tracking)			
PTZ (WITH PTZ DRIVER)				
Pan Speed	0.01 °~ 120 °/s			
Pan Range	0 °~ 360 °			
Tilt Speed	0.01 °~ 60 °/S			
Tilt Range	+46 °~ 90 °			
Preset Locations	400			
Auto Pan Scan	Supported			
Auto Tracking	Supported			
Auto Resume After Power Failure	Resume to home position			
VIDEO	OPTICAL		THERMAL	
	PAL	NTSC	PAL	NTSC
Resolution	Stream 1 2688 x 1520, 2560 x 1440, 2304 x 1296, 1920 x 1080, 1280 x 720 @25fps Stream 2 1920 x 1080, 1280 x 720, 704 x 576, 640 x 480@25fps	Stream 1 2688 x 1520, 2560 x 1440, 2304 x 1296, 1920 x 1080, 1280 x 720 @30fps Stream 2 1920 x 1080, 1280 x 720, 704 x 480, 640 x 480@30fps	Stream 1 1920 x 1080, 1280 x 1024, 1280 x 720, 640 x 512 @25fps Stream 2 704 x 576, 640 x 480, 640 x 512, 352 x 288 @25fps	Stream 1 1920 x 1080, 1280 x 1024, 1280 x 720, 640 x 512 @30fps Stream 2 704 x 480, 640 x 480, 640 x 512, 352 x 240 @30fps
Region of Interest	8		8	
Bit Rate	Stream 1 2688 x 1520, 500kbps-16000kbps 2560 x 1440, 2304 x 1296, 1920 x 1080, 500kbps- 12000kbps 1280 x 720, 100kbps-8000kbps Stream 2 1920 x 1080, 500kbps-12000kbps 1280 x 720, 100kbps-8000kbps 704 x 576(PAL)/704 x 480(NTSC), 100kbps-6000kbps 640 x 480, 100kbps-3000kbps		Stream 1 1920 x 1080, 500kbps-12000kbps 1280 x 1024, 1280 x 720, 100kbps-8000kbps 640 x 512, 100kbps-3000kbps 640 x 512 (MJPEG), 100kbps-6000kbps Stream 2 704 x 576(PAL)/704 x 480(NTSC), 100kbps-6000kbps 640 x 480, 640 x 512, 100kbps-3000kbps 640 x 512 (MJPEG), 100kbps-6000kbps 352 x 288(PAL)/352 x 240(NTSC), 100kbps-1500kbps	
Video Compression	H.265 / H.264 / MJPEG, Smart Codec		H.265 / H.264 / MJPEG, Smart Codec	
Number of Video Streams	2		2	
ANALYTICS	OPTICAL		THERMAL	
Video Analytics*	Motion Detection, Smart Motion, Scene Change, Intrusion, Multi-Loitering, People Counter, Face Detection, Line Crossing Detection, Double Line Crossing Detection, Unattended Object Detection, Missing Object Detection, Wrong Way Detection, Smoke and Flame Detection		Motion Detection, Smart Motion, Intrusion, Multi-Loitering, People Counter, Line Crossing Detection, Double Line Crossing Detection, Wrong Way Detection, Smoker Detection, Fire Spot Detection	
EVENTS				
Event Type	Analytics Alarm, Security Alarm, Disk Alarm, Recording Alarm			
Event Linkage	Email, Push Notification, SD Card Recording, Digital Output			
Event	Event notification using digital output SMTP, FTP and MicroSD card			

*For specific usage and limitation, please refer to the user guide.

**For detailed encryption information, please refer to the A&E documents.

60 SERIES BI-SPECTRUM THERMAL BULLET VGA CAMERAS

AUDIO	
Audio Compression	G.711 a/ G.711 Mu
Audio Stream	2 way, Full duplex
Audio Interface	1Ch Input, 1Ch Output, Built-in Mic and Speaker
THERMAL TEMPERATURE MEASUREMENT*	
Measurement Range	-20 °C ~ 150 °C (-4 °F ~ 302 °F) and 0°C to 350°C (32°F to 662°F) selectable
Measurement Accuracy	±2 °C/±2%
Measurement Mode	Spot/Line/Area
Measurement Configuration	3 temperature measurement rule types, 20 rules in total, 1 full screen, 19 others (spot, areas, line)
Temperature Alarm	Support temperature difference alarm, threshold alarm, temperature section alarm, temperature raise alarm
NETWORK	
Ethernet	10 Base-T/100 Base-TX Ethernet (RJ-45)
Supported Web Browsers	Microsoft Edge, Chrome
Supported OS	Microsoft Windows 10, Windows 11
Protocols*	IPv4, IPv6, TCP/IP, HTTP, HTTPS, UPnP, RTSP/RTP/RTCP, IGMP, SMTP, DHCP, NTP, DNS, DDNS, QoS, SNMP, 802.1X, UDP, ICMP, ARP, TLS, FTP/SFTP, Bonjour
Interoperability	ONVIF Profile G/S/T/M
Maximum Users Access	10 Users
Security	User account and password protection, HTTPS, IP Filter, Digest authentication, TLS1.2&1.3, Stream encryption, AES128 / 256, SSH / Telnet closed, PCIDSS compliance, encryption Chipset Built-In
Secure Boot	Supported
Languages Supported	Arabic, Chinese (Traditional), Czech, Dutch, English, French, German, Italian, Japanese, Korean, Polish, Portuguese (Brazil), Spanish, Turkish
ELECTRICAL	
Power Supply	DC12V/DC24V/PoE (IEEE 802.3 af)
Power Consumption (Max)	Max. 25 W
MECHANICAL	
Dimensions	Adjustable 326.6 ~ 346.6 x 144.7 x 125.4 mm (12.86" ~ 13.65" x 5.70" x 4.94")
Package Dimensions	415 × 205 × 175 mm (16.34" x 8.07" x 6.89")
Product Weight	2.7 kg (5.95 lb)
Package Weight	3.16 kg (6.97 lb)
Body Material	Metal + Plastic
Color	RAL 9003, Black
ENVIRONMENTAL	
Operating Temperature	-40 °C to 65 °C (-40 °F to 149 °F) (65 °C with 4h)
Relative Humidity	Less than 90%, non-condensing
Ingress Protection	IP66, IP67, NEMA 4X, NEMA TS 2
Impact Resistance	IK10 (Housing only)
REGULATORY	
Emissions	FCC PART 15, CE (EN 55032), ICES-003, Complies with RCM and UKCA
Immunity	CE(EN 50130-4, EN 55035), Complies with RCM and UKCA
Safety	UL LISTED TO UL/CSA 62368-1, CE(EN 62368-1), COMPLIES WITH RCM AND UKCA
RoHS	CE(EN 63000),JAE(Cabinet Decree No.10 of 2017)
Country of Origin	Vietnam
Warranty	5 year

*Some development may be required in specific user cases to support some of these protocols in the field as they mature over time.

60 SERIES BI-SPECTRUM THERMAL BULLET VGA CAMERAS

DORI-OPTICAL* (EN62676-4 STANDARD)			
	HC60TB4R1VT09	HC60TB4R4VT15	HC60TB4R2VT25/HC60TB4R2VT35/HC60TB4R2VT50
Detect	68 m (223.1 ft)	96 m (314.96 ft)	(W) 146 m (479 ft), (T) 390 m (1,279.53 ft)
Observe	27.2 m (89.24 ft)	38.4 m (125.98 ft)	(W) 58.4 m (191.6 ft), (T) 156 m (511.81 ft)
Recognize	13.6 m (44.62 ft)	19.2 m (62.99 ft)	(W) 29.2 m (95.8 ft), (T) 78 m (255.91 ft)
Identify	6.8 m (22.31 ft)	9.6 m (31.5 ft)	(W) 14.6 m (47.9 ft), (T) 39 m (127.95 ft)

*The table is for reference only. The detection value is a theoretical value and may differ from the actual detection value. The distances within it are subject to actual conditions including atmospheric conditions, target size, the installation site, and more.

DRI-THERMAL* (JOHNSON CRITERIA**)					
	HC60TB4R1VT09	HC60TB4R4VT15	HC60TB4R2VT25	HC60TB4R2VT35	HC60TB4R2VT50
Detect (Human: 1.8 x 0.5 m)	375 m (1,230.31 ft)	625 m (2,050.52 ft)	1,042 m (3,418.64 ft)	1,456 m (4,776.9 ft)	2,083 m (6,833.99 ft)
Detect (Vehicle: 4 x 1.5 m)	1,150 m (3,772.97 ft)	1,917 m (6,289.37 ft)	3,194 m (10,479 ft)	4,472 m (14,671.92 ft)	6,389 m (20,961.29 ft)
Recognize (Human: 1.8 x 0.5 m)	94 m (308.4 ft)	156 m (511.81 ft)	260 m (853.02 ft)	365 m (1,197.51 ft)	521 m (1,709.32 ft)
Recognize (Vehicle: 4 x 1.5 m)	288 m (944.88 ft)	479 m (1,571.52 ft)	799 m (2,621.39 ft)	1,118 m (3,667.98 ft)	1,597 m (5,239.5 ft)
Identify (Human: 1.8 x 0.5 m)	47 m (154.2 ft)	78 m (255.91 ft)	130 m (426.51 ft)	182 m (597.11 ft)	260 m (853.02 ft)
Identify (Vehicle: 4 x 1.5 m)	144 m (472.44 ft)	240 m (787.4 ft)	399 m (1,309.06 ft)	559 m (1,833.99 ft)	799 m (2,621.39 ft)

*The table is for reference only. The detection value is a theoretical value and may differ from the actual detection value. The distances within it are subject to actual conditions including atmospheric conditions, target size, the installation site, and more.

**The Johnson Criteria is the standard that is used for DRI (Detection, Recognition, and Identification). It is calculated based on how many pixels are necessary in order to make an accurate evaluation of your object. The values are as follows:

- Detection: 2 vertical pixels of the target are visible
- Recognition: 8 vertical pixels of the target are visible
- Identification: 14 vertical pixels of the target are visible

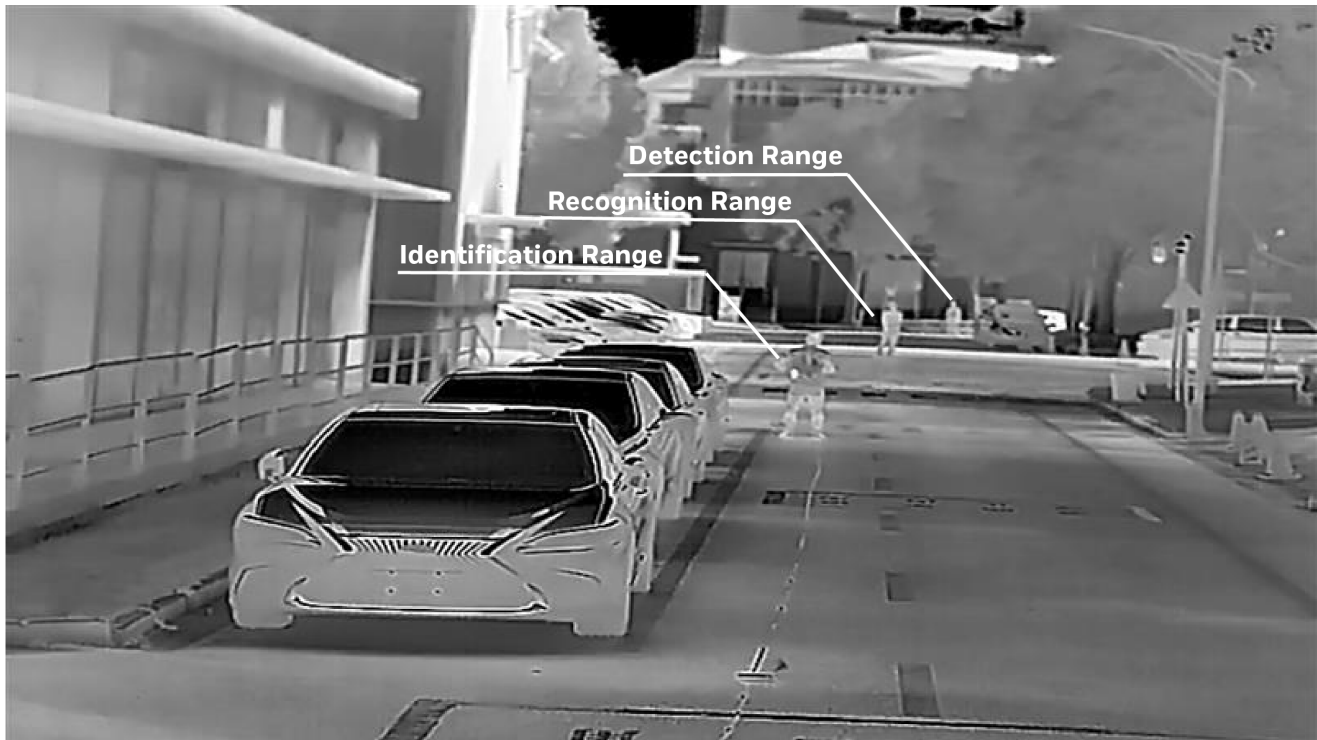


Image source: Honeywell camera test image

60 SERIES BI-SPECTRUM THERMAL BULLET VGA CAMERAS

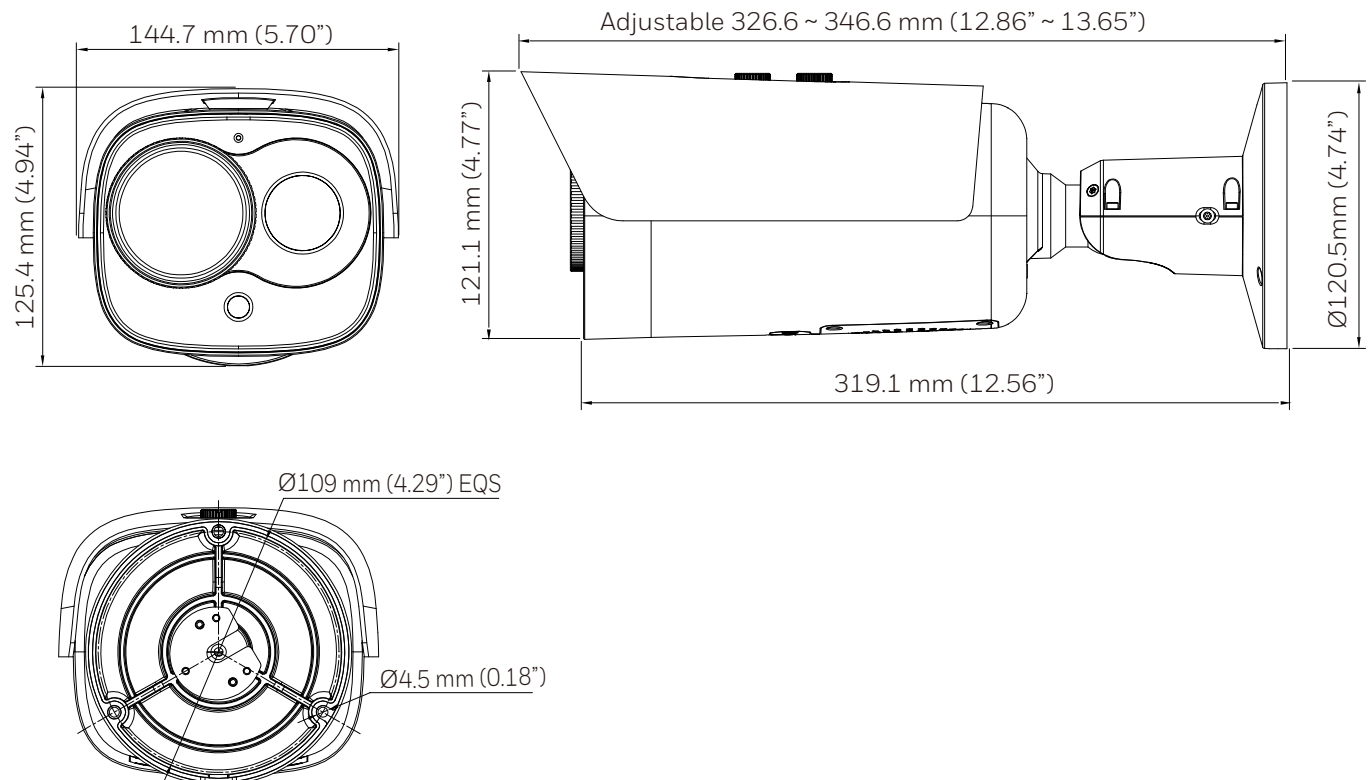
DETECTION RANGE-OPTICAL*					
	HC60TB4R1VT09	HC60TB4R4VT15	HC60TB4R2VT25	HC60TB4R2VT35	HC60TB4R2VT50
VA Detection Distance (Face: 0.15 × 0.25 m)	3~4 m (9.84~13.12 ft)	4~6 m (13.12~19.69 ft)	9~10 m (29.53~32.81 ft)	9~10 m (29.53~32.81 ft)	9~10 m (29.53~32.81 ft)
VA Detection Distance (Human: 1.8 × 0.5 m)	3~27 m (9.84~88.58 ft)	4~27 m (13.12~88.58 ft)	9~41 m (29.53~134.51 ft)	9~41 m (29.53~134.51 ft)	9~41 m (29.53~134.51 ft)
VA Detection Distance (Front/Rear of Vehicle: 4 × 1.5 m)	Up to 50 m (164.04 ft)	Up to 110 m (360.89 ft)	Up to 200 m (656.17 ft)	Up to 200 m (656.17 ft)	Up to 200 m (656.17 ft)
Smoke and Flame Detection (Object: 1.2 × 0.65 m)	2 m (6.56 ft)	4 m (13.12 ft)	4 m (13.12 ft)	4 m (13.12 ft)	4 m (13.12 ft)

*The table is for reference only. The distances within it are subject to actual conditions including atmospheric conditions, target size, the installation site, and more.

DETECTION RANGE-THERMAL*					
	HC60TB4R1VT09	HC60TB4R4VT15	HC60TB4R2VT25	HC60TB4R2VT35	HC60TB4R2VT50
VA Detection Distance (Human: 1.8 × 0.5 m)	8~39 m (26.25~127.95 ft)	9~42 m (29.53~137.8 ft)	15~46 m (49.21~150.92 ft)	18~75 m (59.06~246.06 ft)	40~140 m (131.23~459.32 ft)
VA Detection Distance (Front/Rear of Vehicle: 4 × 1.5 m)	Up to 125 m (410.1 ft)	Up to 190 m (623.36 ft)	Up to 330 m (1082.68 ft)	Up to 460 m (1509.19 ft)	Up to 600 m (1968.5 ft)
Smoker Detection	3~23 m (9.84~75.46 ft)	6~30 m (19.69~98.43 ft)	10~40 m (32.81~131.23 ft)	18~50 m (59.06~164.04 ft)	40~60 m (131.23~196.85 ft)
Fire Detection (Object: 0.16 × 0.16 m)	9 m (29.53 ft)	18 m (59.06 ft)	28 m (91.86 ft)	40 m (131.23 ft)	70 m (229.66 ft)

*The table is for reference only. The distances within it are subject to actual conditions including atmospheric conditions, target size, the installation site, and more.

DIMENSIONS



60 SERIES BI-SPECTRUM THERMAL BULLET VGA CAMERAS

SYSTEM COMPATIBILITY & RECOMMENDED ACCESSORIES

SYSTEM COMPATIBILITY*		OPTIONAL MOUNTS AND ACCESSORIES***	
MAXPRO NVR HE	Up to 256 IP channels RAID5/6 enterprise NVR	HA35PCM04B	35S cap for pendent mount, 1.5NPT male
MAXPRO NVR PE	Up to 192 IP channels RAID5/6 enterprise NVR	HA35CLM01	35S ceiling mount base with adapter
MAXPRO NVR SE	Up to 96 IP channels system NVR	HA35CLM02	35S ceiling mount pendent extension, 252 mm
MAXPRO NVR XE	Up to 24 IP channels system NVR	HA35JCBHBB	35S bullet junction box , IP66
MAXPRO NVR Software	Up to 256 IP channels recording software	HA35PLM01	35S pole mount bracket
ADPRO NVR iFT-E**	Up to 32 IP channels with up to 32 VA channels NVRs	HA35CNM01	35S corner mount bracket
ADPRO NVR iFT**	Up to 32 IP channels or 16 IP channels with up to 16 VA channels NVRs	HAS1PTD	Bi-spectrum bullet PT driver
ADPRO NVR eFT-S**	Up to 16 IP channels or 8 IP channels with up to 8 VA channels NVRs	HAS1PTDP	Bi-spectrum bullet PT driver pendant mount
ADPRO NVR iFT Gateway**	4 IP channels + 4 VA channels	HA60JCBPT	60s Bi-spectrum PT driver junction box
Honeywell DVM**	Supported with Honeywell DVM 800		
35 Series NVR	4/8/16/32/64-channel 35 series NVRs		

***Mounting accessories are not included with camera and must be ordered separately. Please refer to the cross reference matrix or accessories datasheet for detailed information.

*When it is used with the camera, ADPRO, DVM or 35 Series NVRs will consume 2 channels and MAXPRO will consume 1 license.

**Limited features are supported for compatibility. Please refer to the Integration Matrix for detailed information.

ORDERING

PART NUMBER	DESCRIPTION
HC60TB4R1VT09	60 Series Bi-Spectrum Thermal Bullet VGA Cameras with 9 mm Thermal Lens, PoE
HC60TB4R4VT15	60 Series Bi-Spectrum Thermal Bullet VGA Cameras with 15 mm Thermal Lens, PoE
HC60TB4R2VT25	60 Series Bi-Spectrum Thermal Bullet VGA Cameras with 25 mm Thermal Lens, PoE
HC60TB4R2VT35	60 Series Bi-Spectrum Thermal Bullet VGA Cameras with 35 mm Thermal Lens, PoE
HC60TB4R2VT50	60 Series Bi-Spectrum Thermal Bullet VGA Cameras with 50 mm Thermal Lens, PoE

For More Information

hwl.co/securityUK

hwl.co/securityAE

Building Automation

Commercial Security

Emaar Business Park, Sheikh Zayed Road,

Building No. 2, 2nd floor, 201

Post Office Box 232362

Dubai, United Arab Emirates

Tel: +971 4 450 5800



Building 5 Carlton Park,

King Edward Avenue

Narborough, Leicester, LE19 0LF

United Kingdom

Tel: +44(0)1163 500714

www.honeywell.com

ONVIF and the ONVIF logo are trademarks of ONVIF Inc.
HEVC Advance logo is a trademark of HEVC Advance.
Honeywell reserves the right, without notification, to make changes in product design or specifications.

HBA-SEC-60S-HC60TB4RxVTxx-DS-UK-EN-04-2025-V01-Y
© 2025 Honeywell International Inc.

Honeywell